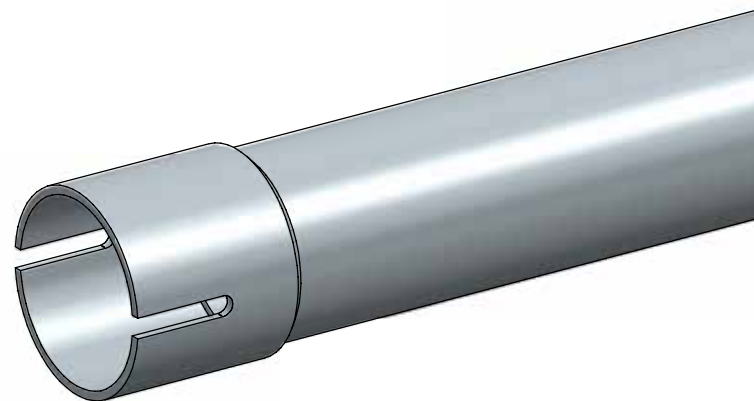
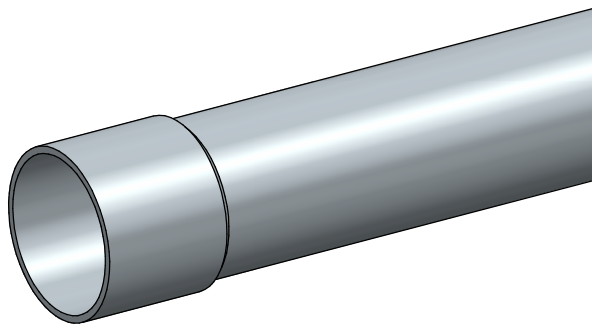
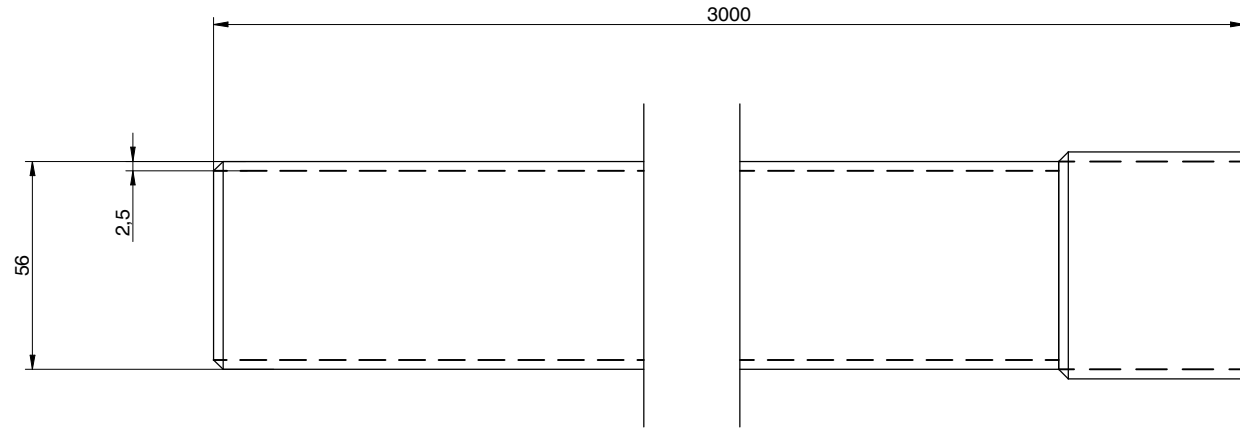
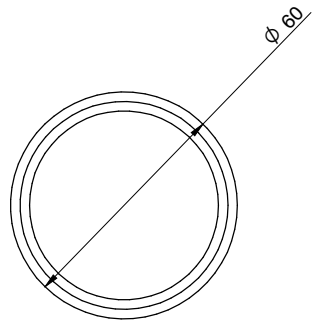


// TUBES

FICHE TECHNIQUE



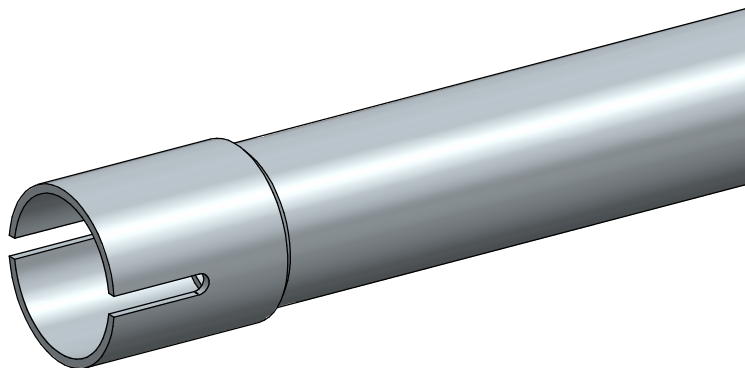
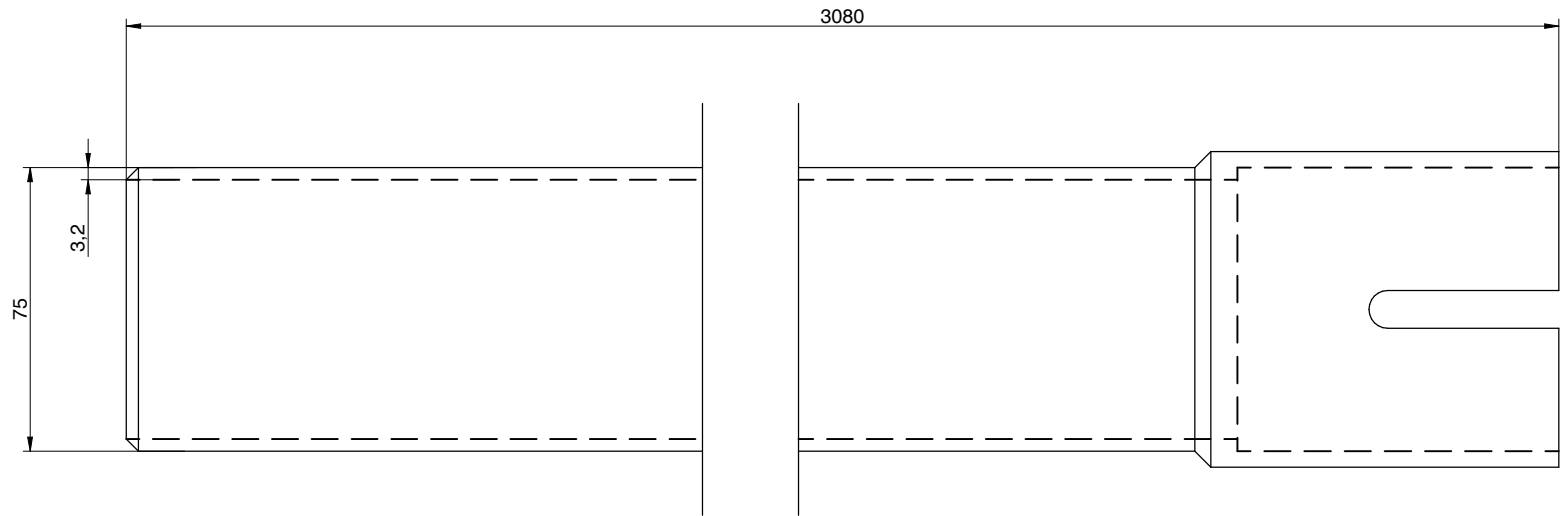
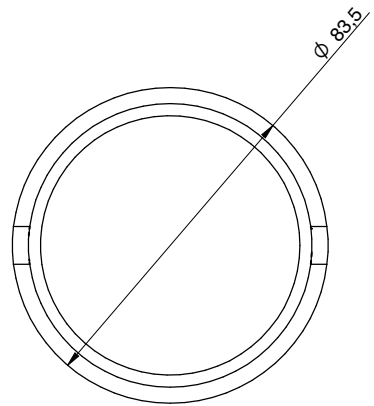
VOTRE PARTENAIRE FIABLE



Tubo PVC blanco Ø56 mm L= 3,000m e= 2,50mm abocardado ranurado y biselado
 White PVC tube Ø56 mm L= 3,000m thickness= 2,50mm widened stotted and beveled
 Tube PVC blanc Ø56 mm L= 3,000m e= 2,50mm évasé, rainuré et biséauté

S/E

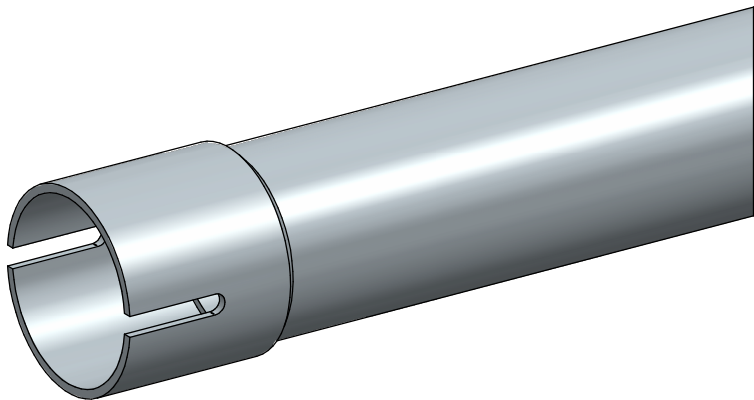
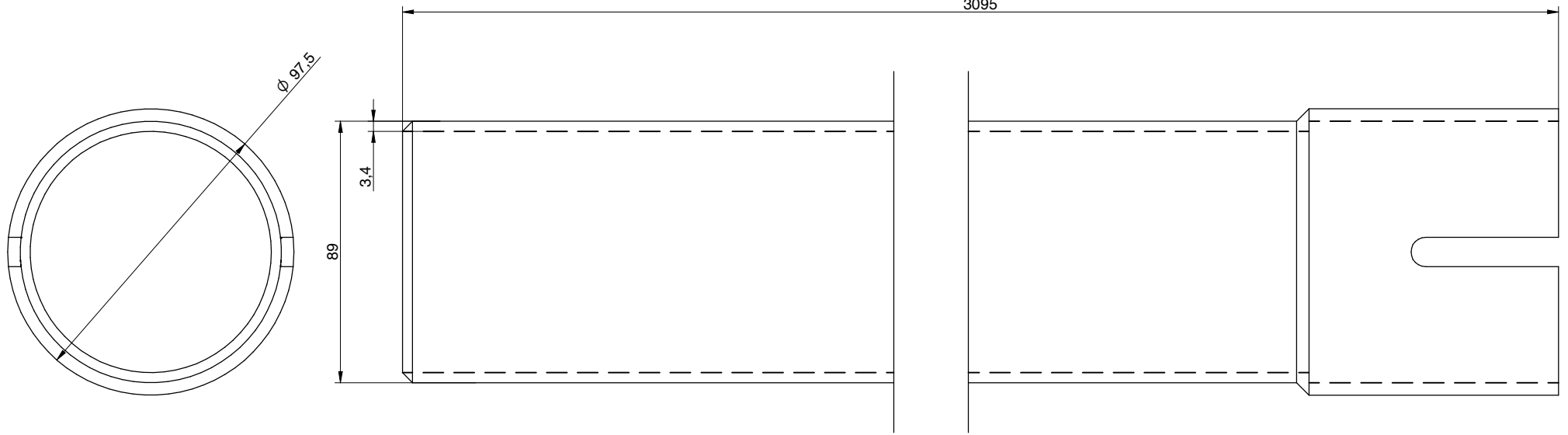
COD: 3G0201401101



Tubo PVC blanco $\varnothing 75$ mm L= 3,080m e= 3,20mm abocardado ranurado y biselado
 White PVC tube $\varnothing 75$ mm L= 3,080m thickness= 3,20mm widened slotted and beveled
 Tube PVC blanc $\varnothing 75$ mm L= 3,080m e= 3,20mm évasé, rainuré et biséauté

S/E

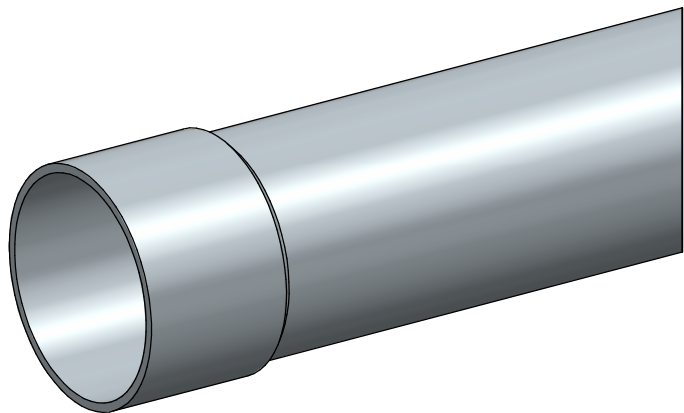
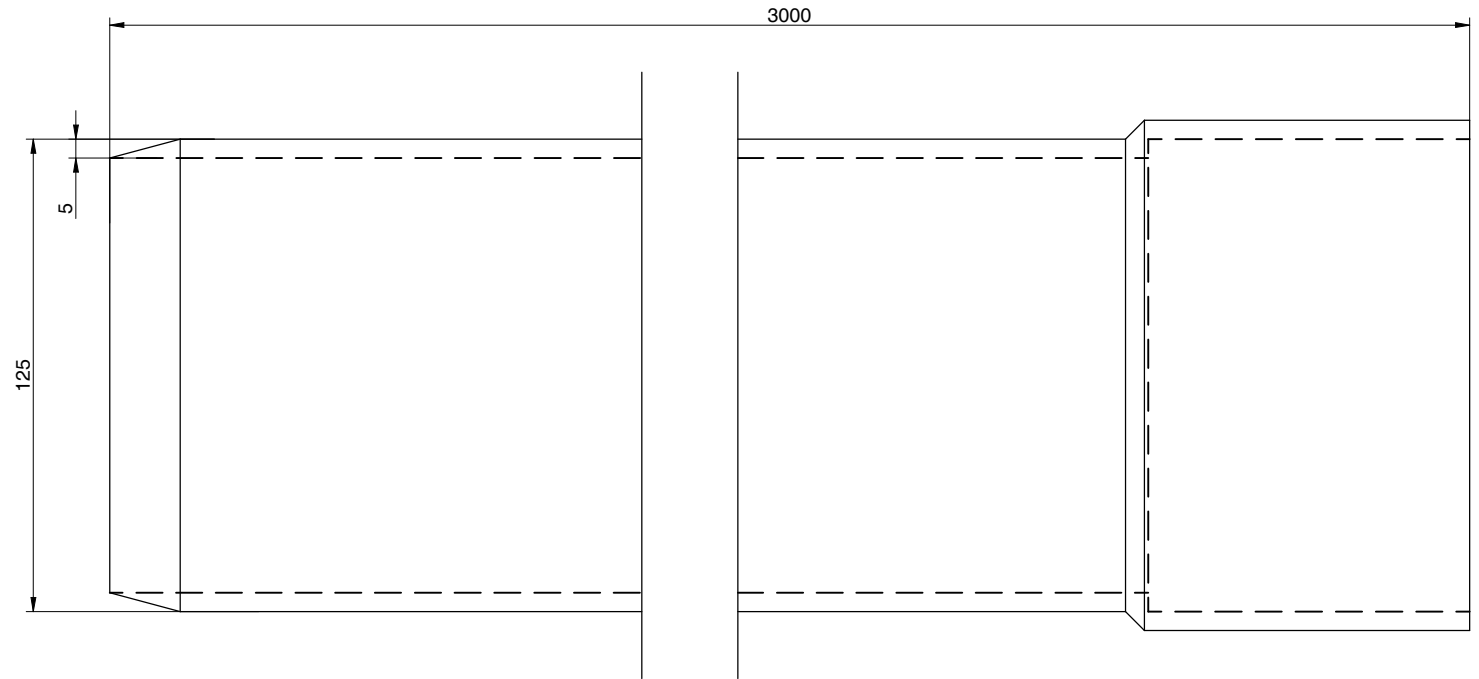
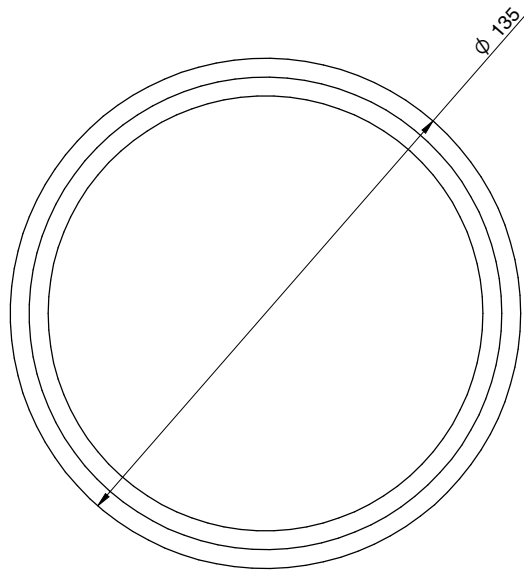
COD: 3G0201402101



Tubo PVC blanco $\varnothing 90$ mm L= 3,095m e= 3,40mm abocardado ranurado y biselado
 White PVC tube $\varnothing 90$ mm L= 3,095m thickness= 3,40mm widened slotted and beveled
 Tube PVC blanc $\varnothing 90$ mm L= 3,090m e= 3,40mm évasé, rainuré et biséauté

S/E

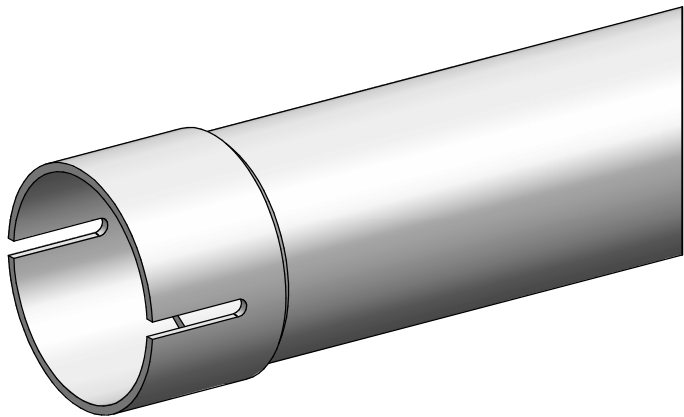
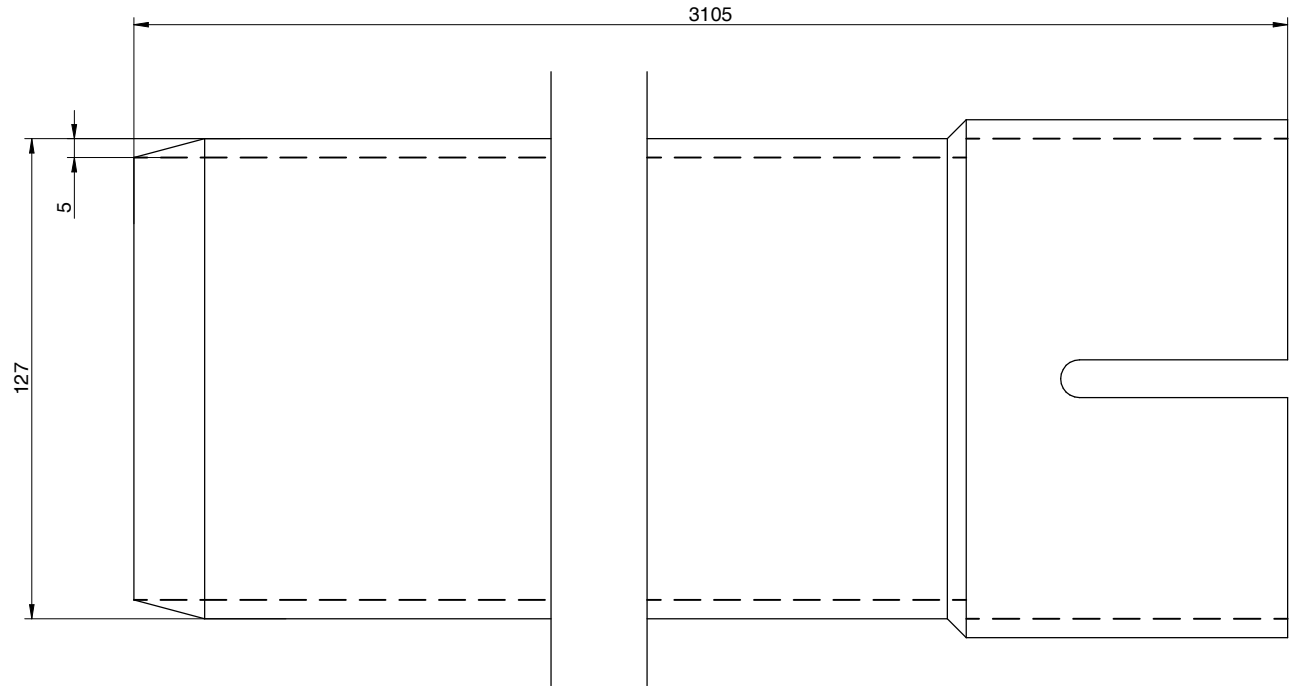
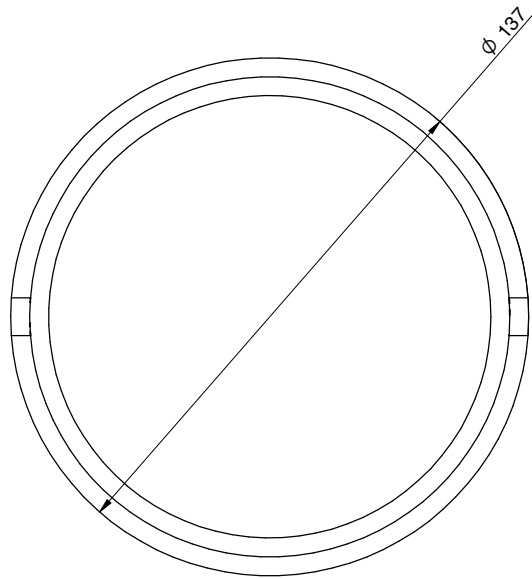
COD: 3G0201403101



Tubo PVC blanco $\phi 125$ mm L= 3,000m e= 5,00mm abocardado ranurado y biselado
 White PVC tube $\phi 125$ mm L= 3,000m thickness= 5,00mm widened slotted and beveled
 Tube PVC blanc $\phi 125$ mm L= 3,000m e= 5,00mm évasé, rainuré et biséauté

S/E

COD: 3G0201404101



Tubo PVC blanco $\varnothing 127$ mm L= 3,105m e= 5,00mm abocardado ranurado y biselado
 White PVC tube $\varnothing 127$ mm L= 3,105m thickness= 5,00mm widened slotted and beveled
 Tube PVC blanc $\varnothing 127$ mm L= 3,105m e= 5,00mm évasé, rainuré et biséauté

S/E

COD: 3G0201404102

www.growket.com
growket@growket.com

Bureaux et Usine :
Ctra. de Arenas, km. 2,300
13210 Villarta de San Juan
Ciudad Real - Spain
T: +34 926 640 475
F: +34 926 640 294

