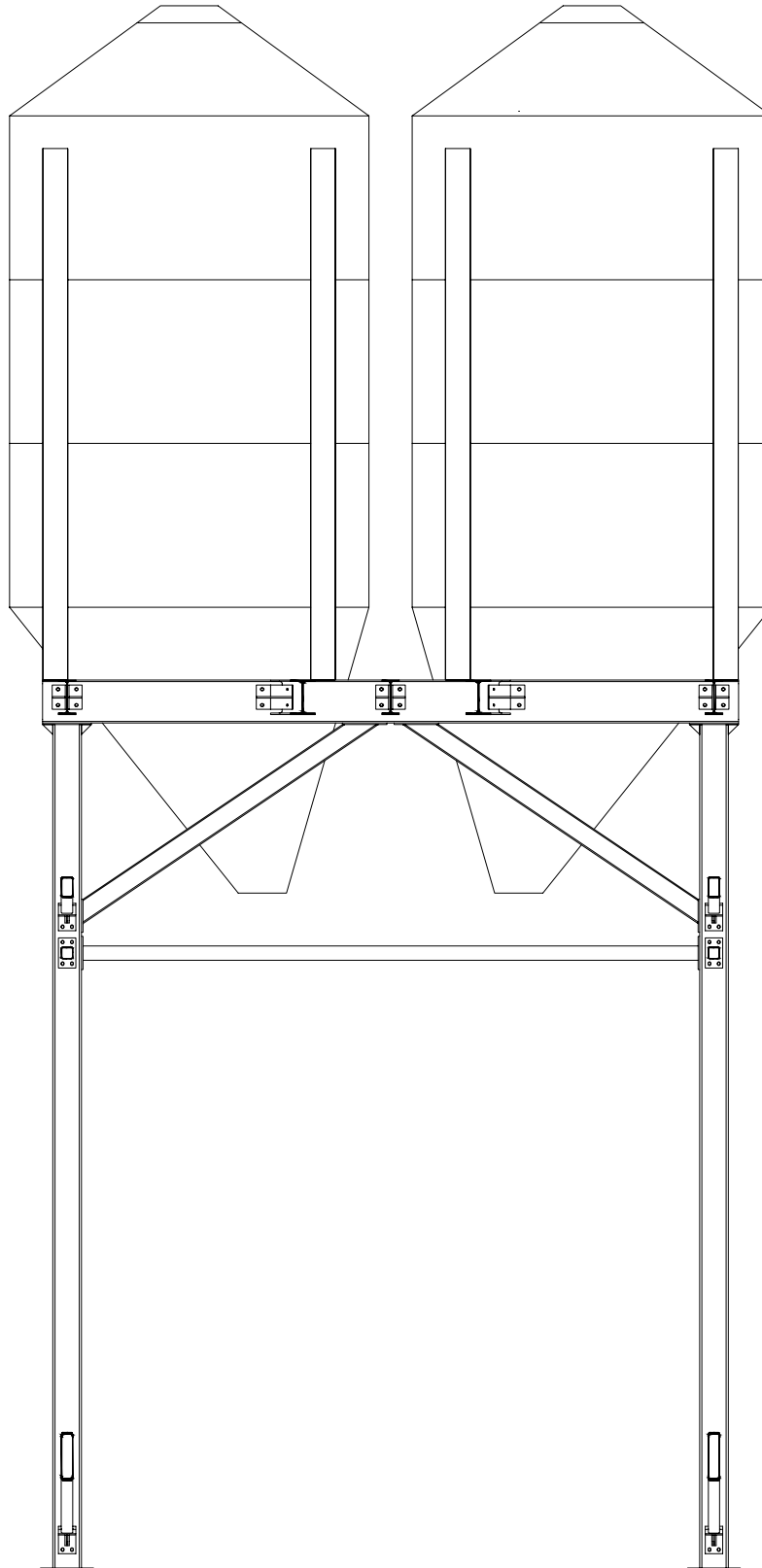


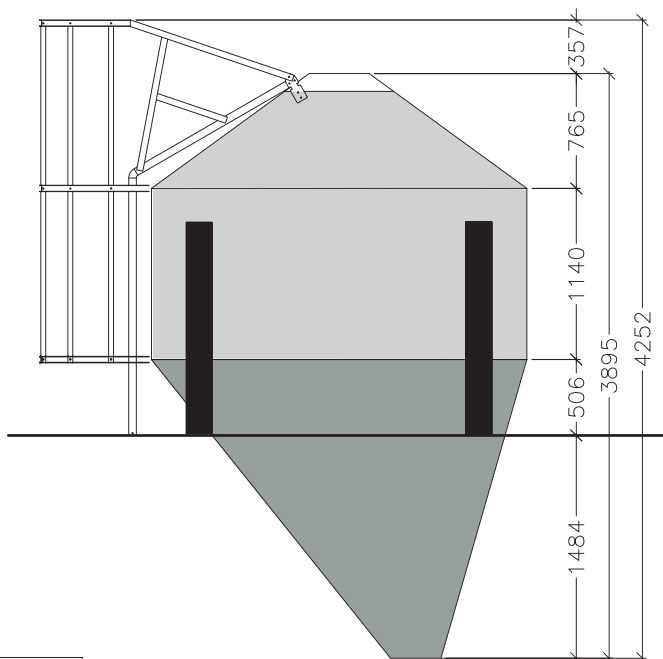
//SILOS

FICHE TECHNIQUE
SILOS D'EXPEDITION –
VRAC TRÉMIE
DÉCALÉ POUR STRUCTURE



VOTRE PARTENAIRE FIABLE

 **GROWKET**
SYMAGA GROUP



THICKNESSES	
	0.80 mm
	1.00 mm
	1.50 mm
	2.00 mm
	3.00 mm

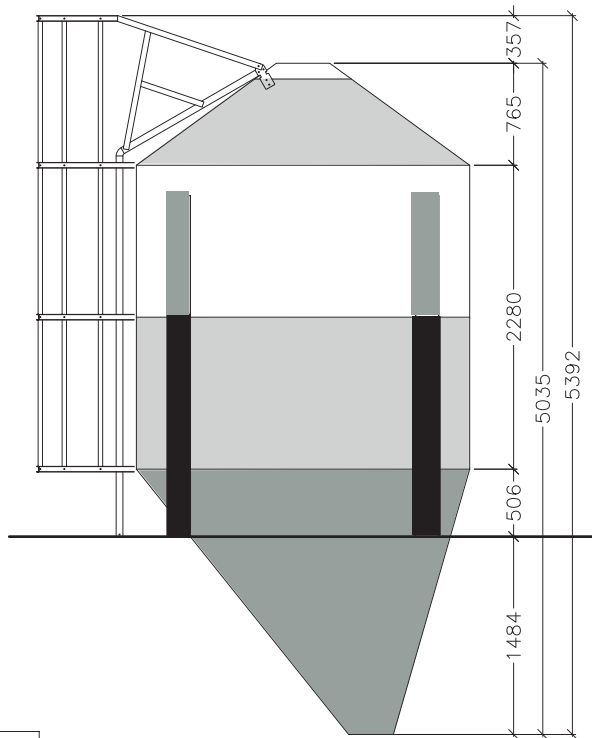
PARTS AND MATERIALS

- 1 ROOF**
 - Composed by roof sectors assembled between them through screws.
 - Sectors material : Galvanised steel S350GD Z600.
- 2 CYLINDER**
 - Composed by bodysheets screwed between them and with stiffeners.
 - Bodysheet material: Galvanised steel S350GD Z600.
- 3 HOPPER**
 - Hopper sectors screwed between them to form the hopper.
 - Material: Galvanised steel S350 GD Z600 MAC

Model	Ø		N° Rings	Angle of hopper	N° legs				Height to fill		Total height with safety cage	
	m	feet				m³	feet³	tons*	m	feet	m	feet
G01TA250G60M1	2,50	8	1	60	4	10,50	370,76	6,80				

*Capacity in tons is calculated at 0,65 tons/m3, for free flowing material.

Products not considered as free flowing materials not to be stored in these silos (soybean meal, cotton seed meal, hot feeds). Consult Growket technical department when is doubt about specific material.



PARTS AND MATERIALS

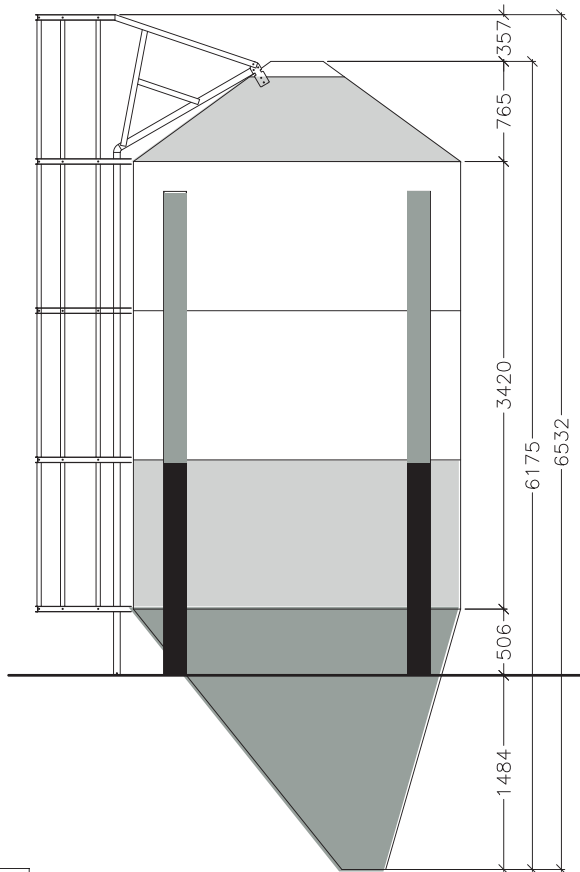
- 1 ROOF**
 - Composed by roof sectors assembled between them through screws.
 - Sectors material : Galvanised steel S350GD Z600.
- 2 CYLINDER**
 - Composed by bodysheets screwed between them and with stiffeners.
 - Bodysheet material: Galvanised steel S350GD Z600.
- 3 HOPPER**
 - Hopper sectors screwed between them to form the hopper.
 - Material: Galvanised steel S350 GD Z600 MAC

THICKNESSES	
	0.80 mm
	1.00 mm
	1.50 mm
	2.00 mm
	3.00 mm

Model	Ø		N° Rings	Angle of hopper	N° legs	Capacity			Height to fill		Total height with safety cage	
	m	feet				m³	feet³	tons*	m	feet	m	feet
G01TA250G60M2	2,50	8	2	60	4	16,30	575,55	10,60				

*Capacity in tons is calculated at 0,65 tons/m3, for free flowing material.

Products not considered as free flowing materials not to be stored in these silos (soybean meal, cotton seed meal, hot feeds). Consult Growket technical department when is doubt about specific material.



THICKNESSES	
	0.80 mm
	1.00 mm
	1.50 mm
	2.00 mm
	3.00 mm

PARTS AND MATERIALS

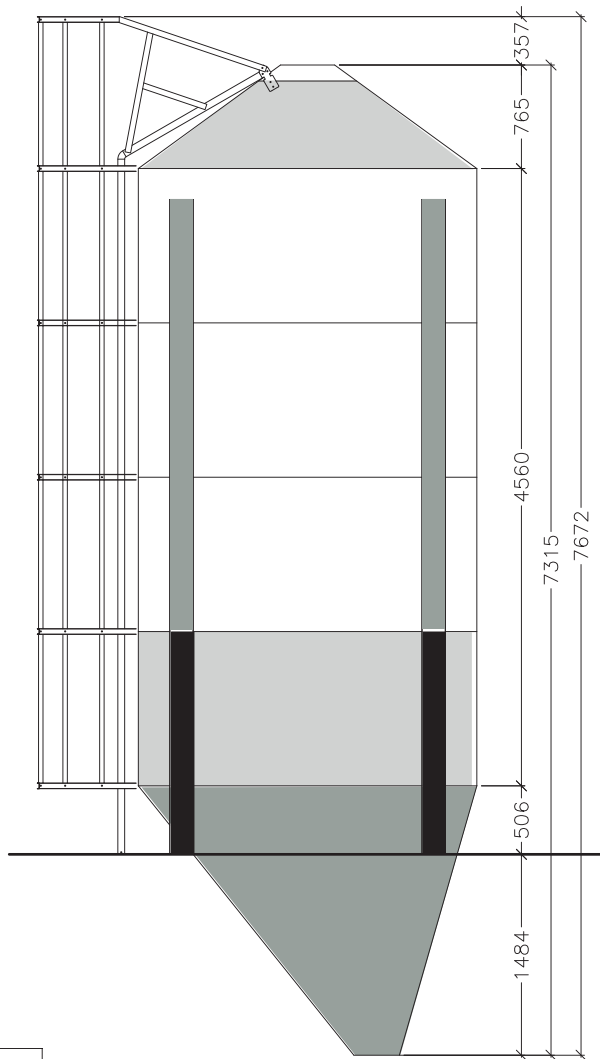
- 1 ROOF**
 - Composed by roof sectors assembled between them through screws.
 - Sectors material : Galvanised steel S350GD Z600.
- 2 CYLINDER**
 - Composed by bodysheets screwed between them and with stiffeners.
 - Bodysheet material: Galvanised steel S350GD Z600.
- 3 HOPPER**
 - Hopper sectors screwed between them to form the hopper.
 - Material: Galvanised steel S350 GD Z600 MAC

Model	Ø		N° Rings	Angle of hopper	N° legs				Height to fill		Total height with safety cage	
	m	feet				m³	feet³	tons*	m	feet	m	feet
G01TA250G60M3	2,50	8	3	60	4	22,10	780,35	14,40				

*Capacity in tons is calculated at 0,65 tons/m3, for free flowing material.

Products not considered as free flowing materials not to be stored in these silos (soybean meal, cotton seed meal, hot feeds). Consult Growket technical department when is doubt about specific material.

SILO Ø 2,50/4CD60 - 18,20 tons



FILE 2.48

VERSION 1. 11/02/2022

COD. CD250G60M4

PARTS AND MATERIALS

- 1 **ROOF**
 - Composed by roof sectors assembled between them through screws.
 - Sectors material : Galvanised steel S350GD Z600.
- 2 **CYLINDER**
 - Composed by bodysheets screwed between them and with stiffeners.
 - Bodysheet material: Galvanised steel S350GD Z600.
- 3 **HOPPER**
 - Hopper sectors screwed between them to form the hopper.
 - Material: Galvanised steel S350 GD Z600 MAC

THICKNESSES	
□	0.80 mm
■	1.00 mm
■	1.50 mm
■	2.00 mm
■	3.00 mm

Model	Ø		N° Rings	Angle of hopper	N° legs				Height to fill		Total height with safety cage	
	m	feet				m³	feet³	tons*	m	feet	m	feet
G01TA250G60M4	2,50	8	4	60	4	28,00	988,68	18,20				

*Capacity in tons is calculated at 0,65 tons/m3, for free flowing material.

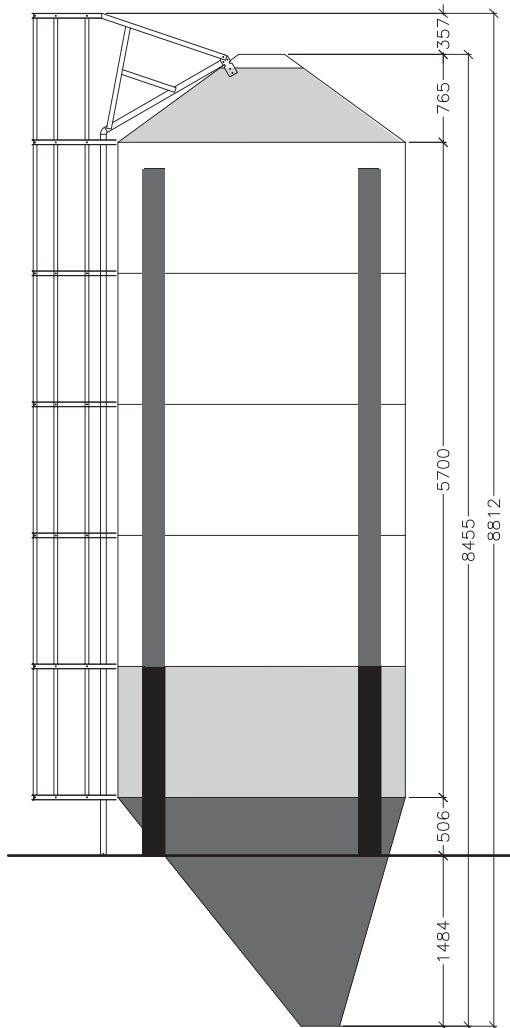
Products not considered as free flowing materials not to be stored in these silos (soybean meal, cotton seed meal, hot feeds). Consult Growket technical department when is doubt about specific material.

SILO Ø 2,50/5CD60 - 22,00 tons

FILE 2.49

VERSION 1. 11/02/2022

COD. CD250G60M5



THICKNESSES	
□	0.80 mm
■	1.00 mm
■	1.50 mm
■	2.00 mm
■	3.00 mm

PARTS AND MATERIALS

- 1 **ROOF**
 - Composed by roof sectors assembled between them through screws.
 - Sectors material : Galvanised steel S350GD Z600.
- 2 **CYLINDER**
 - Composed by bodysheets screwed between them and with stiffeners.
 - Bodysheet material: Galvanised steel S350GD Z600.
- 3 **HOPPER**
 - Hopper sectors screwed between them to form the hopper.
 - Material: Galvanised steel S350 GD Z600 MAC

Model	Ø		N° Rings	Angle of hopper	N° legs				Height to fill		Total height with safety cage	
	m	feet				m³	feet³	tons*	m	feet	m	feet
G01TA250G60M5	2,50	8	5	60	4	33,80	1.193,48	22,00				

*Capacity in tons is calculated at 0,65 tons/m3, for free flowing material.

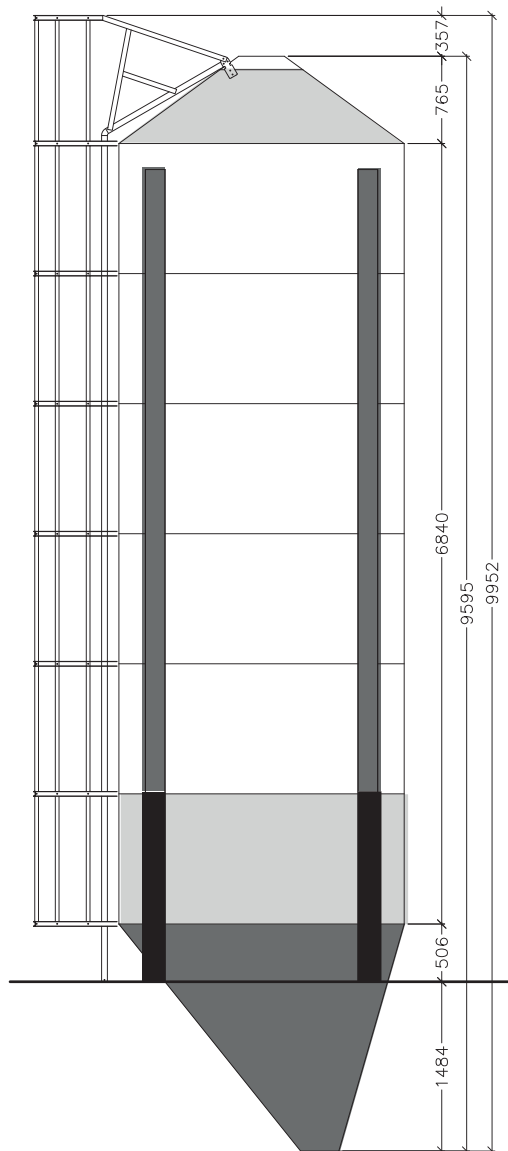
Products not considered as free flowing materials not to be stored in these silos (soybean meal, cotton seed meal, hot feeds). Consult Growket technical department when is doubt about specific material.

SILO Ø 2,50/6CD60 - 25,80 tons



FILE 2.50
VERSION 1. 11/02/2022

COD. CD250G60M6



THICKNESSES	
□	0.80 mm
■	1.00 mm
■	1.50 mm
■	2.00 mm
■	3.00 mm

PARTS AND MATERIALS

- 1 **ROOF**
 - Composed by roof sectors assembled between them through screws.
 - Sectors material : Galvanised steel S350GD Z600.
- 2 **CYLINDER**
 - Composed by bodysheets screwed between them and with stiffeners.
 - Bodysheet material: Galvanised steel S350GD Z600.
- 3 **HOPPER**
 - Hopper sectors screwed between them to form the hopper.
 - Material: Galvanised steel S350 GD Z600 MAC

Model	Ø		N° Rings	Angle of hopper	N° legs	Capacity			Height to fill		Total height with safety cage	
	m	feet				m³	feet³	tons*	m	feet	m	feet
G01TA250G60M6	2,50	8	6	60	4	39,60	1.398,28	25,80				

*Capacity in tons is calculated at 0,65 tons/m3, for free flowing material.

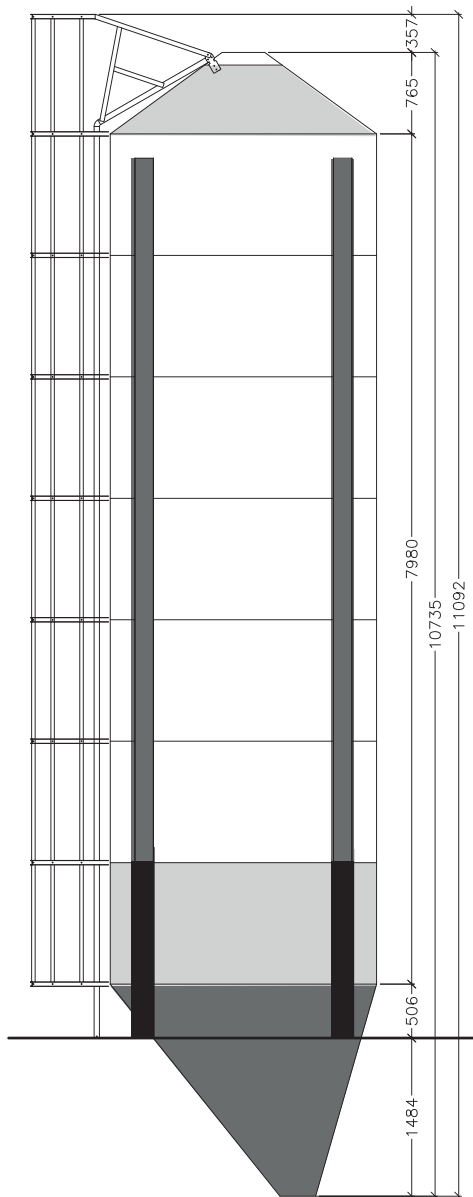
Products not considered as free flowing materials not to be stored in these silos (soybean meal, cotton seed meal, hot feeds). Consult Growket technical department when is doubt about specific material.

SILO Ø 2,50/7CD60 - 29,50 tons

FILE 2.51

VERSION 1. 11/02/2022

COD. CD250G60M7



PARTS AND MATERIALS

- 1 ROOF**
 - Composed by roof sectors assembled between them through screws.
 - Sectors material : Galvanised steel S350GD Z600.
- 2 CYLINDER**
 - Composed by bodysheets screwed between them and with stiffeners.
 - Bodysheet material: Galvanised steel S350GD Z600.
- 3 HOPPER**
 - Hopper sectors screwed between them to form the hopper.
 - Material: Galvanised steel S350 GD Z600 MAC

Model	Ø		N° Rings	Angle of hopper	N° legs	Capacity			Height to fill		Total height with safety cage	
	m	feet				m³	feet³	tons*	m	feet	m	feet
G01TA250G60M7	2,50	8	7	60	4	45,50	1.606,61	29,50				

*Capacity in tons is calculated at 0,65 tons/m3, for free flowing material.

Products not considered as free flowing materials not to be stored in these silos (soybean meal, cotton seed meal, hot feeds). Consult Growket technical department when is doubt about specific material.

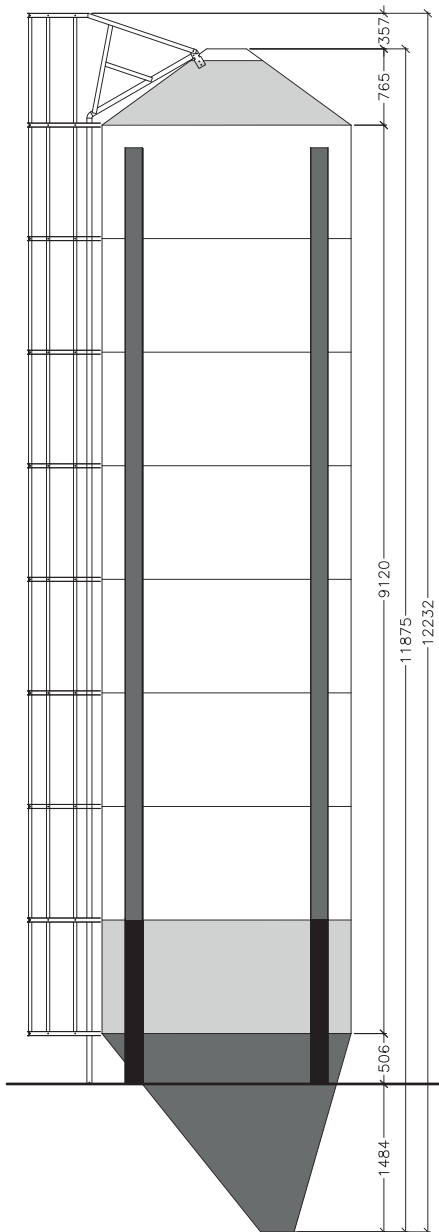
SILO Ø 2,50/8CD60 - 33,30 tons



FILE 2.52

VERSION 1. 11/02/2022

COD. CD250G60M8



PARTS AND MATERIALS

- 1 ROOF**
 - Composed by roof sectors assembled between them through screws.
 - Sectors material : Galvanised steel S350GD Z600.
- 2 CYLINDER**
 - Composed by bodysheets screwed between them and with stiffeners.
 - Bodysheet material: Galvanised steel S350GD Z600.
- 3 HOPPER**
 - Hopper sectors screwed between them to form the hopper.
 - Material: Galvanised steel S350 GD Z600 MAC

Model	Ø		N° Rings	Angle of hopper	N° legs	Capacity			Height to fill		Total height with safety cage	
	m	feet				m³	feet³	tons*	m	feet	m	feet
G01TA250G60M8	2,50	8	8	60	4	51,30	1.811,40	33,30				

*Capacity in tons is calculated at 0,65 tons/m3, for free flowing material.

Products not considered as free flowing materials not to be stored in these silos (soybean meal, cotton seed meal, hot feeds). Consult Growket technical department when is doubt about specific material.

www.growket.com
growket@growket.com

Bureaux et Usine :
Ctra. de Arenas, km. 2,300
13210 Villarta de San Juan
Ciudad Real - Spain
T: +34 926 640 475
F: +34 926 640 294

