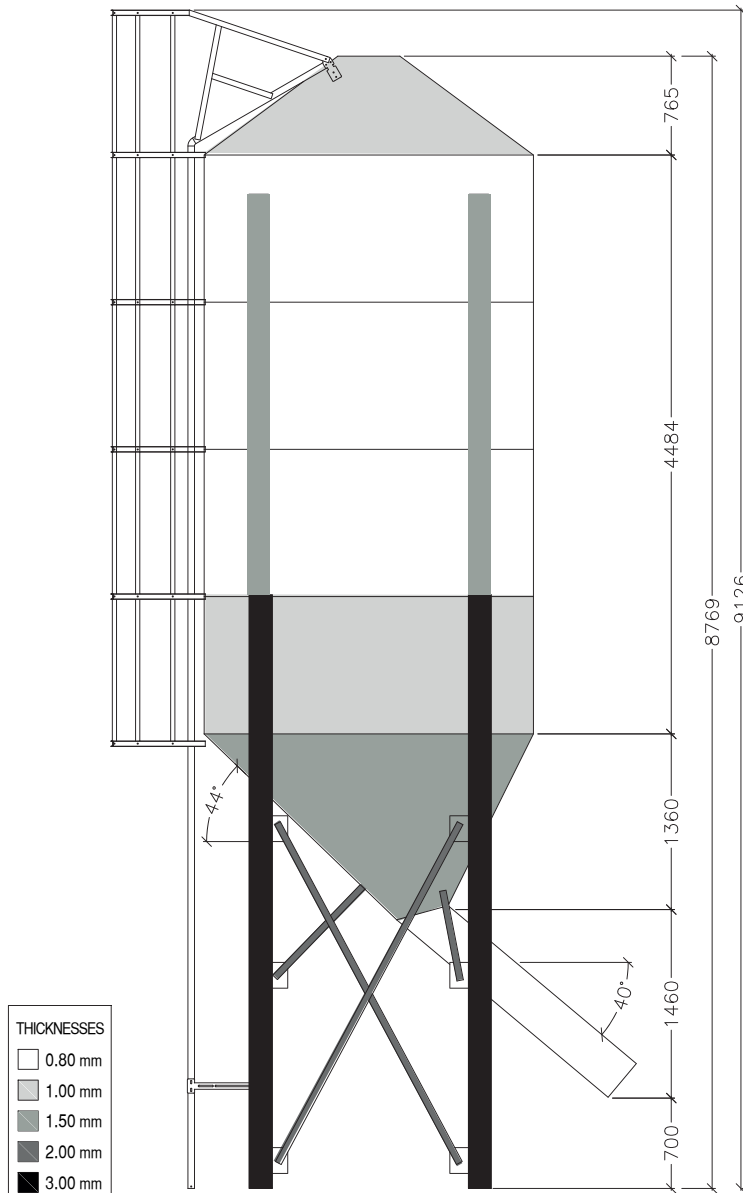


SILO Ø 2,50/4TA44 - 17,50 tons



FILE 2.43
VERSION 1. 11/02/2022

COD. TA250G60M4



PARTS AND MATERIALS

- 1 ROOF**
 - Composed by roof sectors assembled between them through screws.
 - Sectors material : Galvanised steel S350GD Z600.
- 2 CYLINDER**
 - Composed by bodysheets screwed between them and with stiffeners.
 - Bodysheet material: Galvanised steel S350GD Z600.
- 3 HOPPER**
 - Hopper sectors screwed between them to form the hopper.
 - Material: Galvanised steel S350 GD Z600 MAC
 - Bracing is composed by "U" profiles cold formed.
 - Slope 44°.
 - Drop tube has a diameter of 260mm
 - Material : Galvanised steel S350 GD Z600 MAC

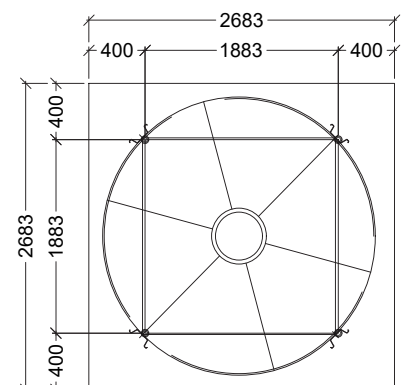
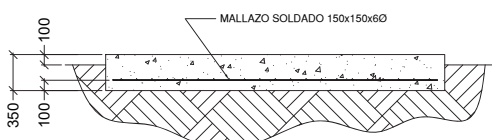
Model	Ø		N° Rings	Angle of hopper	N° legs	Capacity			Height to fill		Total height with safety cage	
	m	feet				m³	feet³	tons*	m	feet	m	feet
G01TA250G60M4	2,50	8	4	44	4	26,90	94,98	17,50	8,77	28,15	9,13	29,96

*Capacity in tons is calculated at 0,65 tons/m3, for free flowing material.

Products not considered as free flowing materials not to be stored in these silos (soybean meal, cotton seed meal, hot feeds). Consult Growket technical department when is doubt about specific material.

FOUNDATION

- All instruction shall be considered as recomendations only because the installation may vary according to local conditions.
- Foundation recomendations are based on a minimum 2 kg/cm2 ground resistance and on a concrete resistance of 250 kg/cm2 at 28 days.
- The foundation site must be free of vegetation and debris and well drained.



Specifications subject to change without notice.