

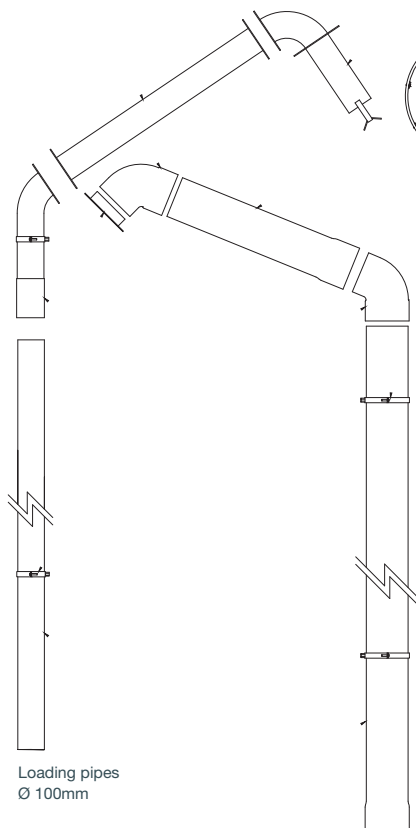
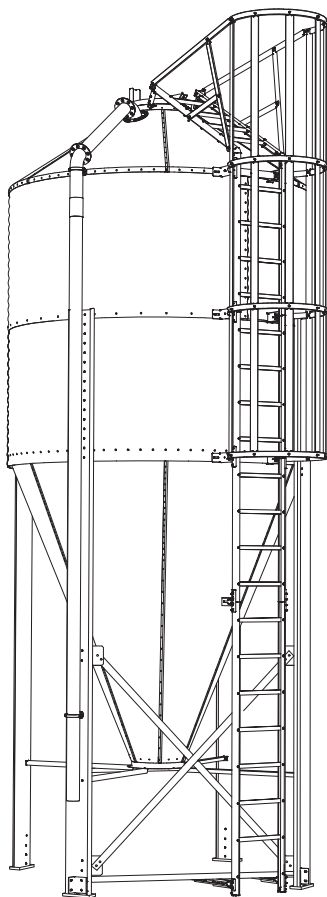


## TECHNICAL SPECIFICATION

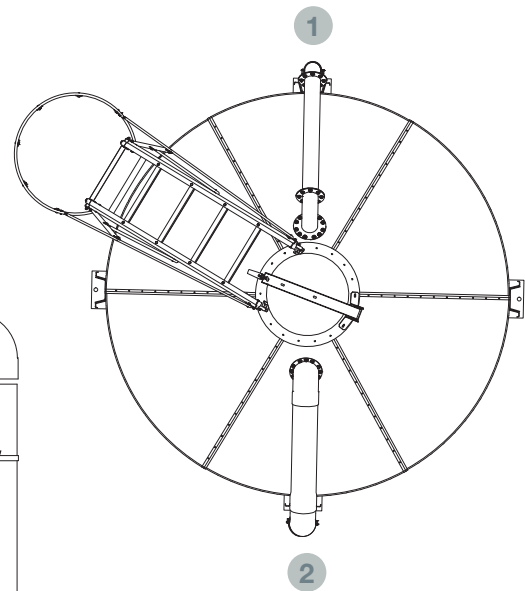
Filling system with load and decompression tubes.

## PARTS AND MATERIALS

- 1 PNEUMATIC**
  - Ø 100 mm
  - MATERIAL: galvanised steel
- 2 DECOMPRESSION CHIMNEY**
  - Ø160 mm
  - MATERIAL: PVC



Loading pipes  
Ø 100mm



Decompression chimney  
Ø 160mm